

Commander™

from Faria Marine Instruments



Commander™ combines the Standard Analog Displayed with the latest in Marine Electronics.

Speedometer shown as a standard analog display, and a LCD displays:

Trip Log - measures distance traveled as recorded by the speedometer "paddle wheel".

Depth Sounder with,

- Deep and Shallow water alarms.
- Programmable Keel Offset.
- Displays Depth in Feet, Meters and Fathoms

Available with or with out the PerfectPass® Cruise system.

Tachometer shown as a standard analog display, and a LCD displays:

Fuel Level

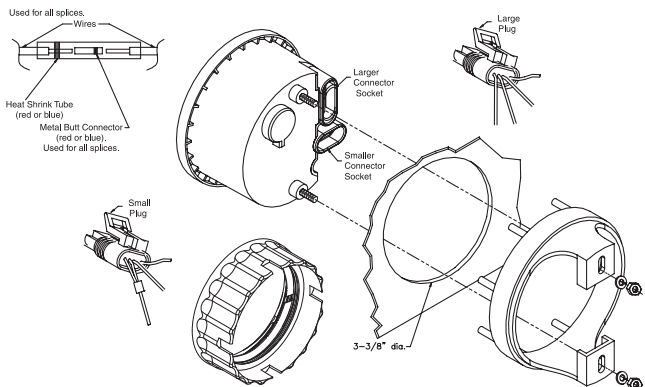
Engine Running Only Hourmeter

Factory pre-programed options include;

- | | |
|-----------------|--|
| Option 1 | Option 2 |
| Fuel Management | Ambient Air and Water/
Bait Well Temperature. |
| Fuel Flow | |
| Trip Fuel Log | |
| Total Fuel Log | |
| Fuel Remaining | |



Johnson®/Evinrude® SystemCheck™ warning functions available.



Specifications -

General

Mounting Hole: 3 3/8 inch diameter.
 Depth behind face plate 3" min.
 Display Analog
 Lens Polycarbonate
 Bezel Stainless Steel or Aluminum
 Bracket Plastic,
 Clamping range 0 -.8" (0-20mm)
 Torque 5 to 7 inch pounds (.57 - 80 Nm.)

Operating Temperature

-4°F to +158° F (-20°C to +70°C)

Storage Temperature

-22°F to +185° F (-30°C to +85°C)

Operating Voltage

11.5 - 16 vDC

Nominal Voltage

13.8 vDC

Backlighting

Colored diffused lighting for display.

Water Integrity

Front will withstand direct water spray.

Current Consumption

< 100 mA, without illumination

Connections

Connector Harness

Alarms

Audio and Visual alarms indication for the various functions.

All Faria Marine Instruments comes with a Limited Lifetime Warranty see www.faria-instruments.com for details.



P.O. Box 983 • Uncasville, CT 06382 Tel: 860-848-9271 Fax: 860-848-2704

fm-001-0010 rev a 5/2008