

Fuel Manager™

from Faria Marine Instruments



With an oversized back-lit display fuel management can be easily read in any weather condition.

This simple to install unit (see Owners' Manual) displays Fuel Flow in Gallons or Liters per hour. Displays Total or Trip Fuel Used, calculates Fuel Remaining and includes a selectable Low Fuel Alarm.

Features:

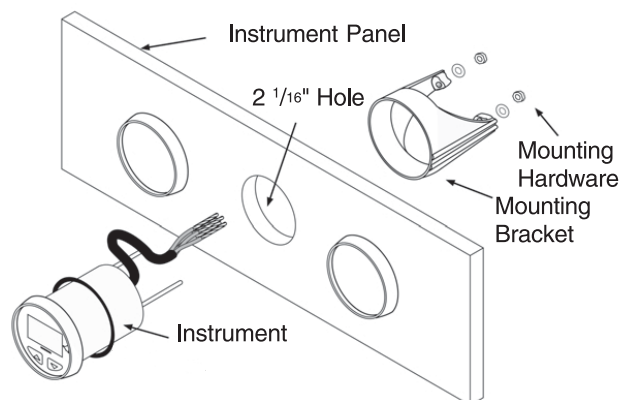
- Displays Gas Remaining
 - Monitors Fuel flow from
 - .5 to 34 Gallons per hour, or 2.5 to 160 Liters per hour.
 - Trip Fuel Log and Total Fuel Log displayed in Gallons or Liters.
 - Includes a selectable low fuel audible alarm.
 - Easy to install!
-
- Easy to match with other gauges in dash.
 - Available with Stainless Steel bezel.



Shown actual size.



Easy installation.



Fits a standard 2 1/16" gauge mounting hole.

Specifications - for use with gas engines only.

<p>Size Mount 2 1/16" diameter hole Depth behind face plate 3" min. Display 3-character LCD</p> <p>Backlighting Red colored diffused lighting for display.</p> <p>Water Integrity Front will withstand direct water spray.</p> <p>Alarm Audio and visual alarm indicates remaining fuel total has dropped below a preset alarm value.</p> <p>Flow 0.5 to 34 US gallons per hour 2.5 to 160 liters per hour 0.4 to 36 imperial gallons per hour</p> <p>Logs Logs record fuel used up to 999 display units. Both Trip Log and Total Log are saved in memory at power down. Both Trip Log and Total Log can be reset.</p>	<p>Fuel Remaining User enters a fuel value into memory. The quantity of fuel used is automatically subtracted from the total. This value remains in memory at power down.</p> <p>Operating Voltage 8 VDC to 16.5 VDC.</p> <p>Operating Temperature 0°C to 50°C (32°F to 122°F)</p> <p>Current Drain 90 mA max. with supplied transducer.</p> <p>RF Interference <6dB quieting on any marine radio channel (with 3 dB gain antenna) within one meter of the instrument. Complies with CE EMC standards EN50081-1 and EN50082-1.5</p>
--	---

All Faria Marine Instruments comes with a Limited Lifetime Warranty see www.faria-instruments.com for details.



P.O. Box 983 • Uncasville, CT 06382 Tel: 860-848-9271 Fax: 860-848-2704

fm-001-0007 rev a 5/2008