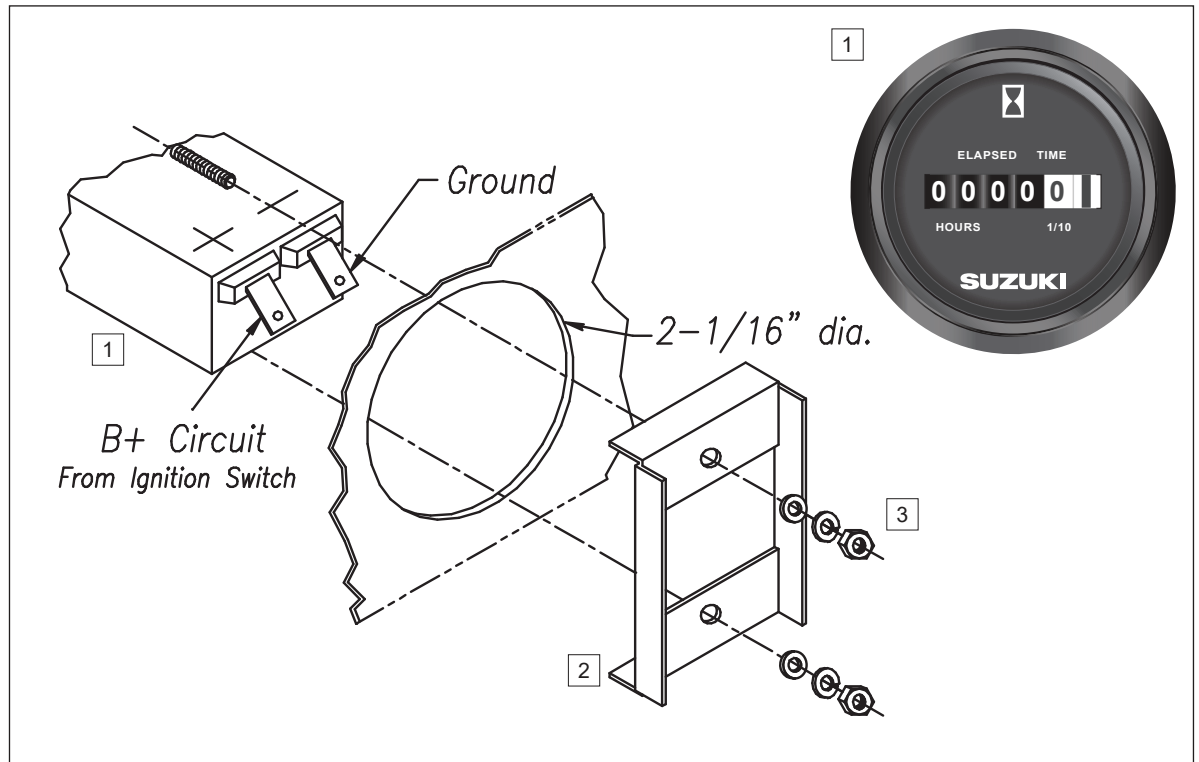


INSTALLATION INSTRUCTIONS

Description:	Hourmeter	Part Number:	990C0-80007/80107
Applications:	Suzuki Marine Boats	Installation Time:	1 HRS
NOTE:	Mounts in standard 2 1/16" hole.	Weight:	1 lbs

Contents

Ref.	Part Number	Description	QTY
1.	990C0-80007/80107	Hourmeter	1
2.	BC0104	Mounting Bracket	1
3.	Mounting Hardware		1



Tools Required

Ref.	Tools Description
1.	5/16" Nut Driver
2.	Suzuki Terminal Kit 09900-28701



Important

- ⚠ WARNING**
- ⚠ CAUTION**
- NOTE**

Please read this manual and follow its instructions carefully. To emphasize special information, the symbol **⚠** and the words **WARNING, CAUTION** and **NOTE** have special meanings. Pay special attention to the messages highlighted by these signal words:

NOTE: Indicates special information to make maintenance easier or instructions clear.

⚠ WARNING

Indicates potential hazard that could result in death or injury.

⚠ CAUTION

Indicates potential hazard that could result in vehicle damage.

! CAUTION

- Disconnect battery during installation.
- Tighten nuts on backclamp only slightly more than you can tighten with your fingers. Six inch-pounds of torque is sufficient. Over tightening may result in damage to the instrument and may void your warranty.
- Gasket cement or other adhesive is not required to secure tubing to fittings.

Installation

1. It is recommended that you use the included color coded wire extension leads.
2. Cut a 2-1/16" dia hole in the dash and mount the gauge with the backclamp supplied.
3. Connect the gray extension lead blade terminal to the positive (+) blade terminal of the hourmeter and plug the bullet end into the gray wire of the main engine harness.
4. Connect the black extension lead blade terminal to the negative (-) blade terminal of the hourmeter and plug the bullet end into the black wire of the main engine harness.
5. Reconnect the battery.

NOTE: The hourmeter will run as long as the ignition switch remains in the "on" position. The hourmeter draws very little current and will operate from 8 - 32 VDC.

Mounting Hardware Kit


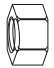

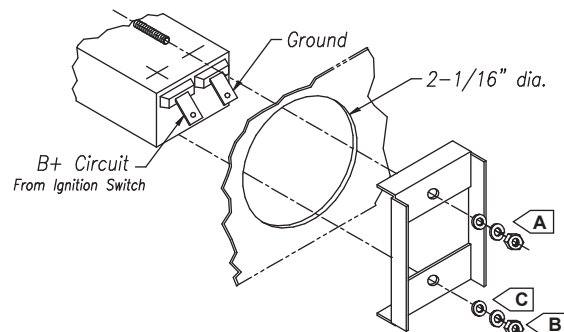
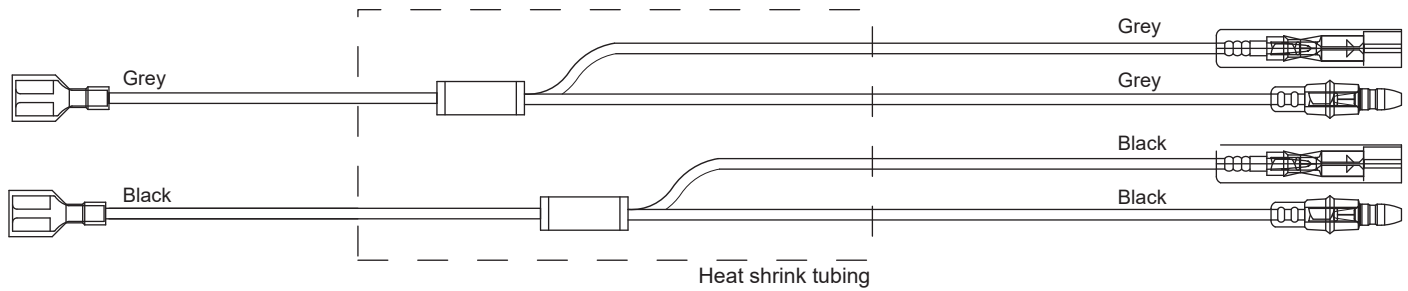
A		x 2
B		x 2
C		x 2

Figure 1



Harness Diagram

HN0410 rev A ecr 5609 8/05



Trouble Shooting

Trouble	Inspection	Diagnosis	Action
Gauge Sticks	A. Backclamp may be too tight.	1. Slightly loosen nuts holding backclamp. Check operation.	<ol style="list-style-type: none"> 1. If gauge works and is not loose in panel continue using gauge. 2. If gauge continues to stick, replace gauge.
Gauge Inoperative	A. Connections on back of hourmeter may be loose.	1. Check to see that all connections are tight and contain no corrosion.	<ol style="list-style-type: none"> 1. If connections are tight and contain no corrosion, and there is power to the key and the key is on, replace hourmeter. 2. If connections are loose or corroded, clean and reconnect to hourmeter.

